

Connector	#	Used on	Connector	#	Used on	Connector	#	Used on																																							
	1	DAD0026 HITACHI ET MOTORS		11	DAD0022 GM ET MOTORS DAD0043 PIERBURG ET MOTORS		15	DAD0056 VISTEON ET MOTORS																																							
	2	DAD0026 HITACHI ET MOTORS		22	DAD0043 PIERBURG ET MOTORS		16	DAD0056 VISTEON ET MOTORS																																							
	2A	DAD0026 HITACHI ET MOTORS	 (Refer similar 9A)	9	DAD0018 DENSO ET MOTORS DAD0037 MIKUNI ET MOTORS DAD0050 TOYOTA ET MOTORS DAD0019 DENSO DP DAD0039 MIKUNI DP		17	DAD0020 FOMOCO ET MOTORS DAD0056 VISTEON ET MOTORS																																							
 (Refer similar 28, 29, 30 & 59)	3	DAD0013 BOSCH ET MOTORS DAD0044 SIEMENS VDO CONTINENTAL ET MOTORS DAD0057 KEFICO (Bosch License) ET MOTORS		9A	DAD0025 HELLA DP		18	DAD0030 MAZDA ET MOTORS																																							
 (Refer similar 31)	4	DAD0013 BOSCH ET MOTORS DAD0029 MAGNETI MARELLI ET MOTORS DAD0044 SIEMENS VDO CONTINENTAL ET MOTORS DAD0060 ARRINGTON ET MOTORS		10	DAD0020 FOMOCO ET MOTORS DAD0027 KEIHIN ET MOTORS DAD0030 MAZDA ET MOTORS DAD0047 SUZUKI ET MOTORS DAD0019 DENSO DP DAD0046 SUBARU DP		18a	DAD0020 FoMoCo MOTORS																																							
 (Refer similar 31)	4a	DAD0059 DELLORTO ELECTRONIC THROTTLE ASSEMBLY		12	DAD0022 GM ET MOTORS		19	DAD0035 MIKUNI BIKE ET MOTORS																																							
	5	DAD0013 BOSCH ET MOTORS		13	DAD0022 GM ET MOTORS		20	DAD0035 MIKUNI BIKE ET MOTORS DAD0050 TOYOTA ET MOTORS																																							
	6	DAD0013 BOSCH ET MOTORS		14	DAD0056 VISTEON ET MOTORS		21	DAD0037 MIKUNI ET MOTORS																																							
	7	DAD0015 BOSCH ET MOTORS OLD	<h3>Connector Index Electronic Throttle</h3> <p>Looking into connector, .75x scale</p>							23	DAD0049 TOYOTA ET MOTORS OLD																																				
	8	DAD0017 DELPHI ET MOTORS DAD0022 GM ET MOTORS								24	DAD0049 TOYOTA ET MOTORS OLD																																				
	8	DAD0017 DELPHI ET MOTORS DAD0022 GM ET MOTORS								60	DAD0044 SIEMENS VDO CONTINENTAL ET MOTORS																																				
									<table border="1" style="width: 100%; border-collapse: collapse;"> <tr> <td colspan="4" style="text-align: center;">Title</td> <td colspan="4" style="text-align: center;">Connector Index ET, DP & Misc</td> <td colspan="2" style="text-align: center;">Sheet No</td> <td colspan="2" style="text-align: center;">Drawing No</td> </tr> <tr> <td colspan="2" style="text-align: center;">Date</td> <td colspan="2" style="text-align: center;">13.5.2009</td> <td colspan="2" style="text-align: center;">Drawn</td> <td colspan="2" style="text-align: center;">KMH</td> <td colspan="2" style="text-align: center;">App</td> <td colspan="2" style="text-align: center;">Rev</td> <td colspan="2" style="text-align: center;">L</td> </tr> <tr> <td colspan="8"></td> <td colspan="2" style="text-align: center;">1 of 3</td> <td colspan="2" style="text-align: center;">DAD0009</td> </tr> </table>			Title				Connector Index ET, DP & Misc				Sheet No		Drawing No		Date		13.5.2009		Drawn		KMH		App		Rev		L										1 of 3	
Title				Connector Index ET, DP & Misc				Sheet No		Drawing No																																					
Date		13.5.2009		Drawn		KMH		App		Rev		L																																			
								1 of 3		DAD0009																																					

Connector	#	Used on	Connector	#	Used on	Connector	#	Used on
	9	DAD0018 DENSO ET MOTORS DAD0037 MIKUNI ET MOTORS DAD0050 TOYOTA ET MOTORS DAD0019 DENSO DP DAD0039 MIKUNI DP		33	DAD0014 BOSCH DP (VAE)		42	DAD0025 HELLA DP
(Refer similar 9A)				34	DAD0014 BOSCH DP (VAE)		43	DAD0025 HELLA DP
	9A	DAD0025 HELLA DP		35	DAD0014 BOSCH DP (VAE)		44	DAD0025 HELLA DP
	10	DAD0020 FOMOCO ET MOTORS DAD0027 KEIHIN ET MOTORS DAD0030 MAZDA ET MOTORS DAD0047 SUZUKI ET MOTORS DAD0019 DENSO DP DAD0046 SUBARU DP		36	DAD0014 BOSCH DP (VAE)		45	DAD0028 HONDA DP
	25	DAD0028 HONDA DP		37	DAD0014 BOSCH DP (VAE) DAD0025 HELLA DP		50	DAD0039 MIKUNI DP
	26	DAD0042 NISSAN DP		38	DAD0014 BOSCH DP (VAE) DAD0021 FORD DP DAD0042 NISSAN DP		51	DAD0019 DENSO DP
	27	DAD0019 DENSO DP		39	DAD0023 GM DP		52	DAD0051 TOYOTA DP
(Refer similar 3 & 59)	28	DAD0014 BOSCH DP (VAE)		40	DAD0023 GM DP		53	DAD0055 VDO DP
(Refer similar 3 & 59)	29	DAD0016 CHRYSLER DP		41	DAD0012 ARIEL ATOM DP DAD0023 GM DP DAD0025 HELLA DP		55	DAD0025 HELLA DP
(Refer similar 3 & 59)	30	DAD0053 TT AB DP DAD0059 DELLORTO ELECTRONIC THROTTLE ASSEMBLY	(Refer similar 41a)	41a	DAD0061 BITRON DP		55a	DAD0058 FoMoCo DP
(Refer similar 4)	31	DAD0014 BOSCH DP (VAE)					56	DAD0025 HELLA DP
	32	DAD0014 BOSCH DP (VAE)						

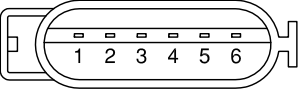
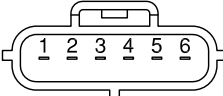
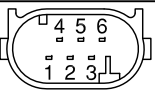
Continued Sheet 3

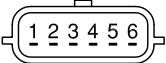
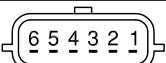
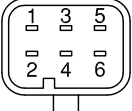

Connector Index Driver Pot

Looking into connector, .75x scale

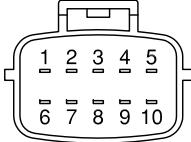
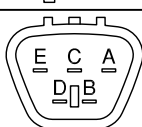
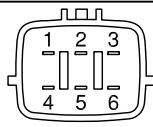
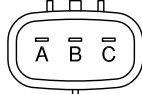
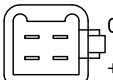


Title					Connector Index ET, DP & Misc		Sheet No	Drawing No
Date	13.5.2009	Drawn	KMH	App	Rev	L	2 of 3	DAD0009

Connector	#	Used on
	57	DAD0024 HELLA DRIVER POT (ANALOG - DIGITAL)
	58	DAD0012 ARIEL ATOM DP
	59	DAD0025 HELLA DP

Connector	#	Used on
	61	DAD0026 HITACHI ET MOTORS
	62	DAD0026 HITACHI ET MOTORS
	63	DAD0044 SIEMENS VDO CONTINENTAL ET MOTORS
	64	DAD0050 TOYOTA ET MOTORS

Connector Index Electronic Throttle
Looking into connector, .75x scale

Connector	#	Used on
	46	DAD0101 MAZDA ROTARY OIL METERING PUMP
	47	DAD0102 MAZDA RX8 AUX PORT VALVE
	48	DAD0103 MAZDA RX8 OIL METERING PUMP
	49	DAD0103 MAZDA RX8 OIL METERING PUMP
Motor-, White/Black Motor+, White/Red	 0V, White +5V, Green/Blue	DC Servo Position, Light Green
	54	DAD0100 DC SERVO

Connector Index Misc
Looking into connector, .75x scale

Connector Index Driver Pot
Looking into connector, .75x scale



Title Connector Index ET, DP & Misc					Sheet No		Drawing No	
Date	13.5.2009	Drawn	KMH	App	Rev	L	3 of 3	DAD0009